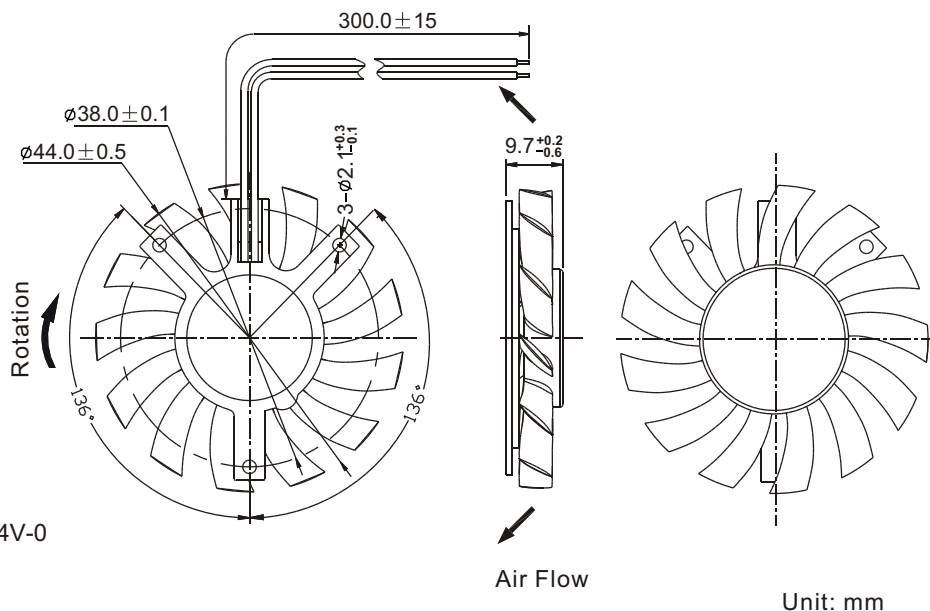


■ Dimensions Drawing



General Specification:

- Frame and Impeller : Thermal Plastic , UL 94V-0
- Lead Wires : UL Type
(+) : Red (-) : Black
- Operation Temperature : $-10^\circ\text{C} \sim 70^\circ\text{C}$ 、
 $35\% \sim 85\% \text{RH}$
- Storage Temperature : $-40^\circ\text{C} \sim 80^\circ\text{C}$ 、
 $35\% \sim 85\% \text{RH}$



Listed Model	Bearing System	Rated Voltage	Operation Voltage	Rated Current	Rated Speed	Air Flow	Air Pressure	Noise Level	Available Features (Optional)				Weight
		VDC	VDC	A	RPM	CFM	mmH ₂ O	dBA	Tachometer Output	Rotation Detector	Thermal Control	Pulse Width Modulation	g
RSH4510S1	Sleeve	12	6.0~13.8	0.20	6,000	---	---	37	•	•			8.5
RSM4510S1			6.0~13.8	0.13	5,000	---	---	33	•	•			
RSL4510S1			6.0~13.8	0.10	4,000	---	---	27	•	•			
RSH4510B1	Ball		6.0~13.8	0.20	6,000	---	---	37	•	•			
RSM4510B1			6.0~13.8	0.13	5,000	---	---	33	•	•			
RSL4510B1			6.0~13.8	0.10	4,000	---	---	27	•	•			