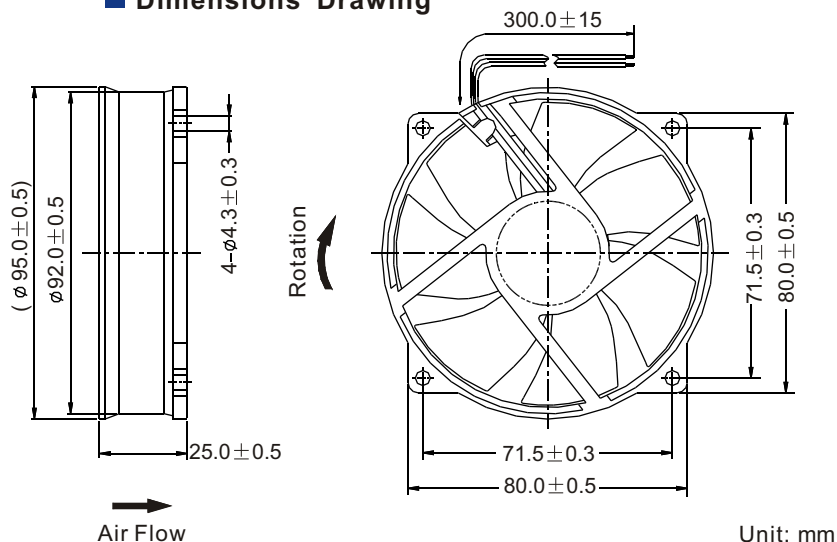


∅92x25mm

■ Dimensions Drawing



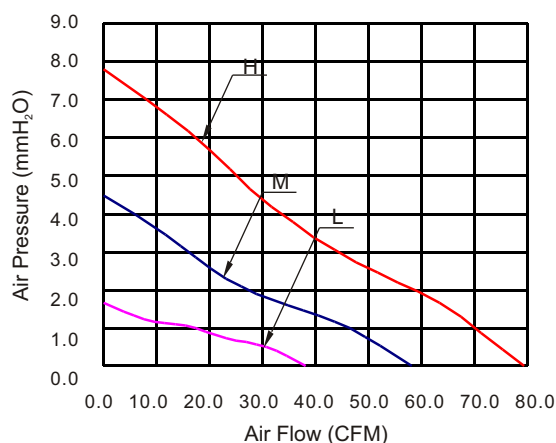
Unit: mm

General Specification:

- Frame and Impeller : Thermal Plastic , UL 94V-0
- Lead Wires : UL Type
(+) : Red (-) : Black
- Operation Temperature : -10°C~70°C、
35%~85%RH
- Storage Temperature : -40°C~80°C、
35%~85%RH



■ Performance Curves



Listed Model	Bearing System	Rated Voltage	Operation Voltage	Rated Current	Rated Speed	Air Flow	Air Pressure	Noise Level	Available Features (Optional)				Weight
		VDC	VDC	A	RPM	CFM	mmH ₂ O	dBA	Tachometer Output	Rotation Detector	Thermal Control	Pulse Width Modulation	g
RDH9225S1	Sleeve	12	6.0~13.8	0.55	4,000	79.2	7.8	46	•	•	•	•	88
RDM9225S1			6.0~13.8	0.35	3,000	57.9	4.5	37	•	•	•	•	
RDL9225S1			6.0~13.8	0.22	2,000	38.1	1.7	26	•	•	•	•	
RDH9225B1	Ball		6.0~13.8	0.55	4,000	79.2	7.8	46	•	•	•	•	
RDM9225B1			6.0~13.8	0.35	3,000	57.9	4.5	37	•	•	•	•	
RDL9225B1			6.0~13.8	0.22	2,000	38.1	1.7	26	•	•	•	•	
RDH9225S2	Sleeve	24	12.0~27.6	0.30	4,000	79.2	7.8	46	•	•	•	•	88
RDM9225S2			12.0~27.6	0.22	3,000	57.9	4.5	37	•	•	•	•	
RDL9225S2			12.0~27.6	0.12	2,000	38.1	1.7	26	•	•	•	•	
RDH9225B2	Ball		12.0~27.6	0.30	4,000	79.2	7.8	46	•	•	•	•	
RDM9225B2			12.0~27.6	0.22	3,000	57.9	4.5	37	•	•	•	•	
RDL9225B2			12.0~27.6	0.12	2,000	38.1	1.7	26	•	•	•	•	

Notes: ©All readings are typical values at rated voltage.
©Specifications are subjected to change without prior notice.