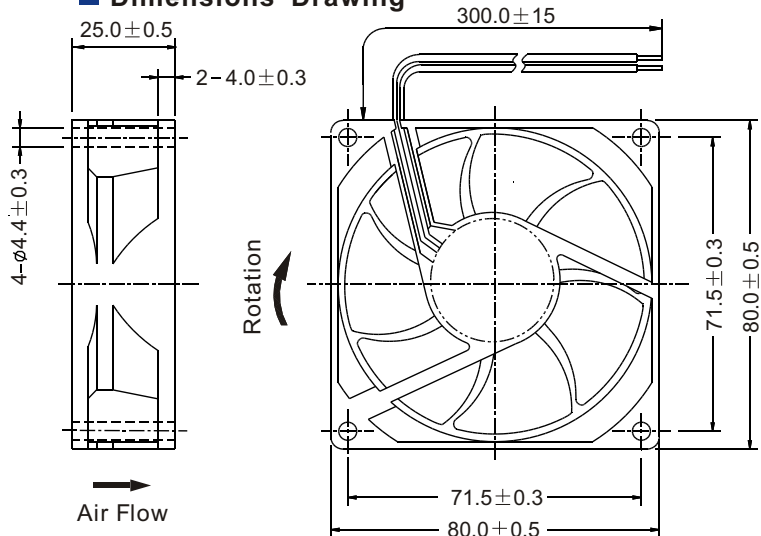




■ Dimensions Drawing



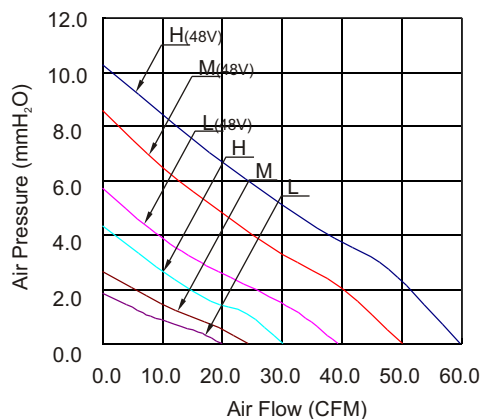
Unit: mm

General Specification:

- Frame and Impeller : Thermal Plastic , UL 94V-0
- Lead Wires : UL Type
(+) : Red (-) : Black
- Operation Temperature : -10°C~70°C、
35%~85%RH
- Storage Temperature : -40°C~80°C、
35%~85%RH



■ Performance Curves



Listed Model	Bearing System	Rated Voltage	Operation Voltage	Rated Current	Rated Speed	Air Flow	Air Pressure	Noise Level	Available Features (Optional)				Weight
		VDC	VDC	A	RPM	CFM	mmH ₂ O	dBA	Tachometer Output	Rotation Detector	Thermal Control	Pulse Width Modulation	g
RDH8025S5	Sleeve	5	3.5~5.75	0.40	3,000	30.1	4.3	30	•	•			76
RDM8025S5			3.5~5.75	0.28	2,500	24.3	2.6	28	•	•			
RDL8025S5			3.5~5.75	0.22	2,000	20.0	1.9	21	•	•			
RDH8025B5	Ball		3.5~5.75	0.40	3,000	30.1	4.3	30	•	•			
RDM8025B5			3.5~5.75	0.28	2,500	24.3	2.6	28	•	•			
RDL8025B5			3.5~5.75	0.22	2,000	20.0	1.9	21	•	•			
RDH8025S	Sleeve	12	6.0~13.8	0.17	3,000	30.1	4.3	30	•	•	•	•	
RDM8025S			6.0~13.8	0.11	2,500	24.3	2.6	28	•	•	•	•	
RDL8025S			6.0~13.8	0.08	2,000	20.0	1.9	21	•	•	•	•	
RDH8025B	Ball		6.0~13.8	0.17	3,000	30.1	4.3	30	•	•	•	•	
RDM8025B			6.0~13.8	0.11	2,500	24.3	2.6	28	•	•	•	•	
RDL8025B			6.0~13.8	0.08	2,000	20.0	1.9	21	•	•	•	•	
RDH8025S2	Sleeve	24	12.0~27.6	0.15	3,000	30.1	4.3	30	•	•			
RDM8025S2			12.0~27.6	0.12	2,500	24.3	2.6	28	•	•			
RDL8025S2			12.0~27.6	0.09	2,000	20.0	1.9	21	•	•			
RDH8025B2	Ball		12.0~27.6	0.15	3,000	30.1	4.3	30	•	•			
RDM8025B2			12.0~27.6	0.12	2,500	24.3	2.6	28	•	•			
RDL8025B2			12.0~27.6	0.09	2,000	20.0	1.9	21	•	•			
RDH8025S4	Sleeve	48	24.0~55.2	0.20	6,000	59.6	10.3	49	•	•	•	•	
RDM8025S4			24.0~55.2	0.18	5,000	50.1	8.6	46	•	•	•	•	
RDL8025S4			24.0~55.2	0.13	4,000	39.3	5.7	39	•	•	•	•	
RDH8025B4	Ball		24.0~55.2	0.20	6,000	59.6	10.3	49	•	•	•	•	
RDM8025B4			24.0~55.2	0.18	5,000	50.1	8.6	46	•	•	•	•	
RDL8025B4			24.0~55.2	0.13	4,000	39.3	5.7	39	•	•	•	•	