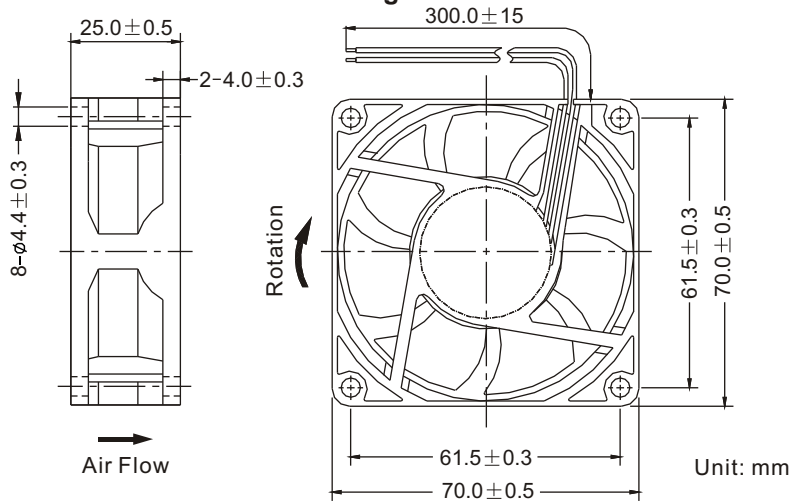




■ Dimensions Drawing

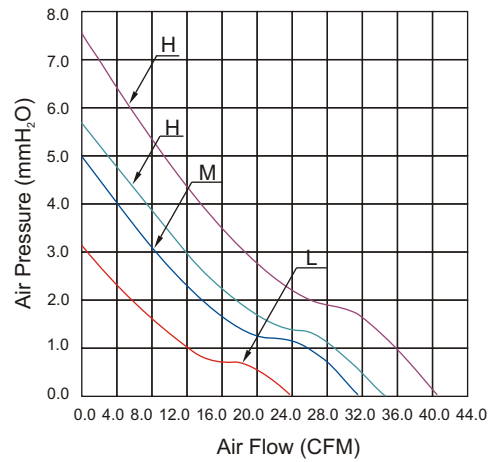


General Specification:

- Frame and Impeller : Thermal Plastic , UL 94V-0
- Lead Wires : UL Type
(+) : Red (-) : Black
- Operation Temperature : -10°C~70°C、
35%~85%RH
- Storage Temperature : -40°C~80°C、
35%~85%RH



■ Performance Curves



Listed Model	Bearing System	Rated Voltage	Operation Voltage	Rated Current	Rated Speed	Air Flow	Air Pressure	Noise Level	Available Features (Optional)				Weight
		VDC	VDC	A	RPM	CFM	mmH ₂ O	dBA	Tachometer Output	Rotation Detector	Thermal Control	Pulse Width Modulation	g
RDH7025S5	Sleeve	5	3.5~5.75	0.70	4,500	34.6	5.7	39	•	•			65
RDM7025S5			3.5~5.75	0.55	4,000	31.5	4.9	36	•	•			
RDL7025S5			3.5~5.75	0.30	3,000	23.7	3.1	28	•	•			
RDH7025B5	Ball		3.5~5.75	0.70	4,500	34.6	5.7	39	•	•			
RDM7025B5			3.5~5.75	0.55	4,000	31.5	4.9	36	•	•			
RDL7025B5			3.5~5.75	0.30	3,000	23.7	3.1	28	•	•			
RDH7025S	Sleeve	12	6.0~13.8	0.40	5,100	40.6	7.5	42	•	•		•	
RDM7025S			6.0~13.8	0.20	4,000	31.5	4.9	36	•	•		•	
RDL7025S			6.0~13.8	0.15	3,000	23.7	3.1	28	•	•		•	
RDH7025B	Ball		6.0~13.8	0.40	5,100	40.6	7.5	42	•	•		•	
RDM7025B			6.0~13.8	0.20	4,000	31.5	4.9	36	•	•		•	
RDL7025B			6.0~13.8	0.15	3,000	23.7	3.1	28	•	•		•	
RDH7025S2	Sleeve	24	12.0~27.6	0.22	5,100	40.6	7.5	42	•	•			
RDM7025S2			12.0~27.6	0.12	4,000	31.5	4.9	36	•	•			
RDL7025S2			12.0~27.6	0.10	3,000	23.7	3.1	28	•	•			
RDH7025B2	Ball		12.0~27.6	0.20	5,100	40.6	7.5	42	•	•			
RDM7025B2			12.0~27.6	0.12	4,000	31.5	4.9	36	•	•			
RDL7025B2			12.0~27.6	0.10	3,000	23.7	3.1	28	•	•			

Notes: ©All readings are typical values at rated voltage.
©Specifications are subjected to change without prior notice.