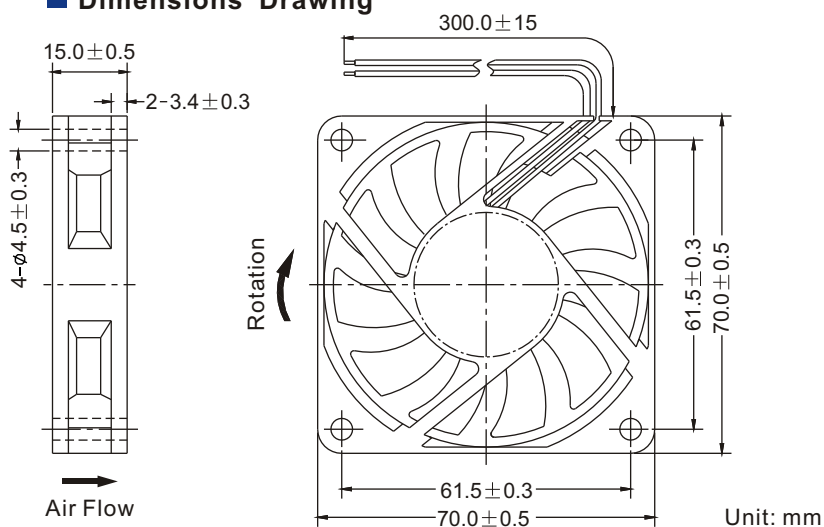




■ Dimensions Drawing

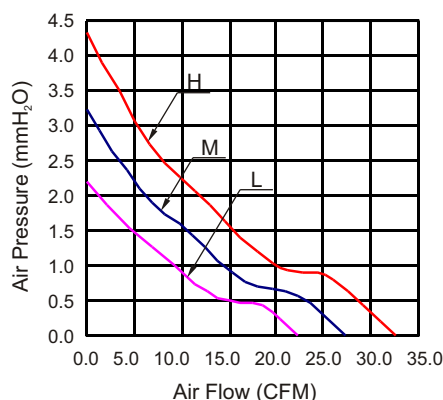


General Specification:

- Frame and Impeller : Thermal Plastic , UL 94V-0
- Lead Wires : UL Type
(+) : Red (-) : Black
- Operation Temperature : -10°C~70°C、
35%~85%RH
- Storage Temperature : -40°C~80°C、
35%~85%RH



■ Performance Curves



Listed Model	Bearing System	Rated Voltage	Operation Voltage	Rated Current	Rated Speed	Air Flow	Air Pressure	Noise Level	Available Features (Optional)				Weight g
		VDC	VDC	A	RPM	CFM	mmH ₂ O	dBA	Tachometer Output	Rotation Detector	Thermal Control	Pulse Width Modulation	
RDH7015S1	Sleeve	12	6.0~13.8	0.35	4,200	32.5	4.3	40	•	•		•	48
RDM7015S1			6.0~13.8	0.25	3,600	27.2	3.2	35	•	•		•	
RDL7015S1			6.0~13.8	0.16	3,000	22.2	2.2	31	•	•		•	
RDH7015B1	Ball		6.0~13.8	0.35	4,200	32.5	4.3	40	•	•		•	
RDM7015B1			6.0~13.8	0.25	3,600	27.2	3.2	35	•	•		•	
RDL7015B1			6.0~13.8	0.16	3,000	22.2	2.2	31	•	•		•	
RDH7015S2	Sleeve	24	12.0~27.6	0.25	4,200	32.5	4.3	40	•	•			48
RDM7015S2			12.0~27.6	0.16	3,600	27.2	3.2	35	•	•			
RDL7015S2			12.0~27.6	0.12	3,000	22.2	2.2	31	•	•			
RDH7015B2	Ball		12.0~27.6	0.25	4,200	32.5	4.3	40	•	•			
RDM7015B2			12.0~27.6	0.16	3,600	27.2	3.2	35	•	•			
RDL7015B2			12.0~27.6	0.12	3,000	22.2	2.2	31	•	•			

Notes: ©All readings are typical values at rated voltage.
©Specifications are subjected to change without prior notice.