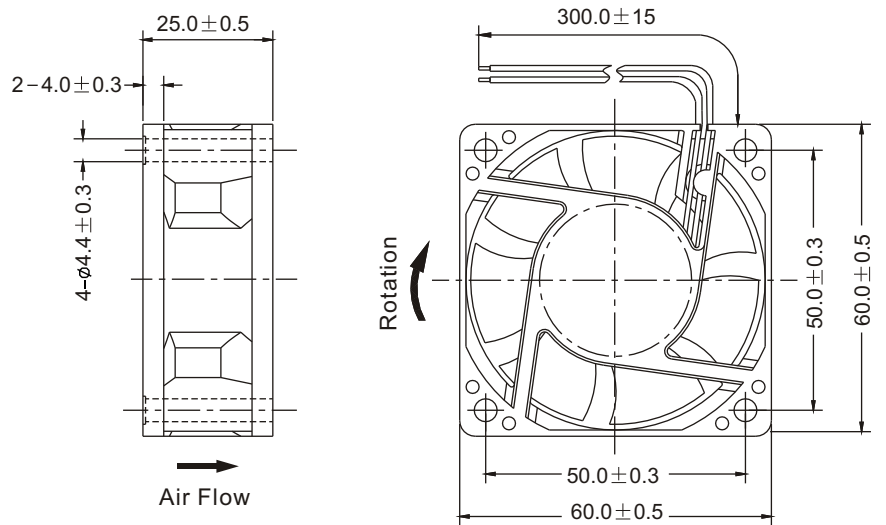


60x60x25mm

■ Dimensions Drawing



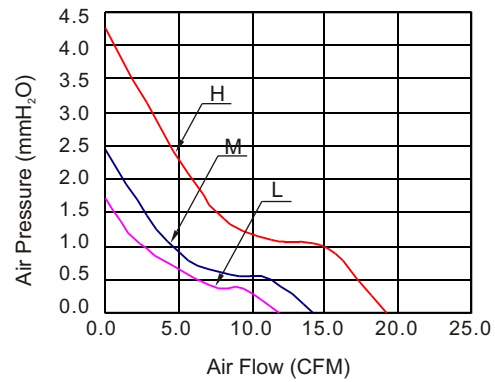
General Specification:

- Frame and Impeller : Thermal Plastic , UL 94V-0
- Lead Wires : UL Type  
(+) : Red (-) : Black
- Operation Temperature : -10°C~70°C、  
35%~85%RH
- Storage Temperature : -40°C~80°C、  
35%~85%RH



■ Performance Curves

Unit: mm



Listed Model	Bearing System	Rated Voltage	Operation Voltage	Rated Current	Rated Speed	Air Flow	Air Pressure	Noise Level	Available Features (Optional)				Weight
		VDC	VDC	A	RPM	CFM	mmH <sub>2</sub> O	dBA	Tachometer Output	Rotation Detector	Thermal Control	Pulse Width Modulation	g
RDH6025S	Sleeve	12	6.0~13.8	0.14	4,000	19.2	4.2	28	•	•	•	•	62
RDM6025S			6.0~13.8	0.10	3,000	14.1	2.4	22	•	•	•	•	
RDL6025S			6.0~13.8	0.07	2,500	11.8	1.7	20	•	•	•	•	
RDH6025B	Ball		6.0~13.8	0.14	4,000	19.2	4.2	28	•	•	•	•	
RDM6025B			6.0~13.8	0.10	3,000	14.1	2.4	22	•	•	•	•	
RDL6025B			6.0~13.8	0.07	2,500	11.8	1.7	20	•	•	•	•	
RDH6025S2	Sleeve	24	12.0~27.6	0.14	4,000	19.2	4.2	28	•	•			62
RDM6025S2			12.0~27.6	0.10	3,000	14.1	2.4	22	•	•			
RDL6025S2			12.0~27.6	0.09	2,500	11.8	1.7	20	•	•			
RDH6025B2	Ball		12.0~27.6	0.14	4,000	19.2	4.2	28	•	•			
RDM6025B2			12.0~27.6	0.10	3,000	14.1	2.4	22	•	•			
RDL6025B2			12.0~27.6	0.09	2,500	11.8	1.7	20	•	•			

Notes: ©All readings are typical values at rated voltage.  
©Specifications are subjected to change without prior notice.