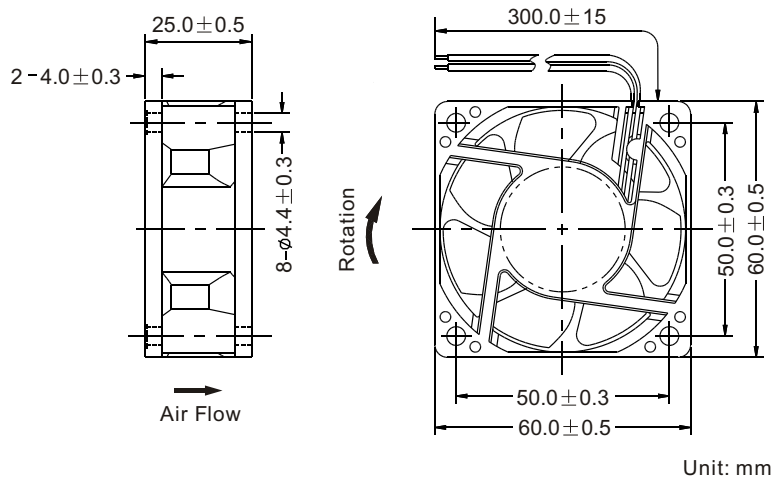
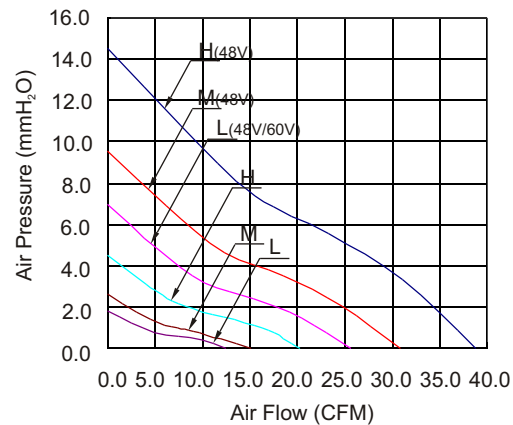


■ Dimensions Drawing



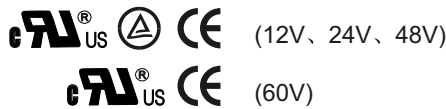
Unit: mm

■ Performance Curves



General Specification:

- Frame and Impeller : Thermal Plastic , UL 94V-0
- Lead Wires : UL Type
(+) : Red (-) : Black
- Operation Temperature : -10°C~70°C、
35%~85%RH
- Storage Temperature : -40°C~80°C、
35%~85%RH



Listed Model	Bearing System	Rated Voltage	Operation Voltage	Rated Current	Rated Speed	Air Flow	Air Pressure	Noise Level	Available Features (Optional)				Weight g
		VDC	VDC	A	RPM	CFM	mmH ₂ O	dBA	Tachometer Output	Rotation Detector	Thermal Control	Pulse Width Modulation	
RDH6025S	Sleeve	12	6.0~13.8	0.14	4,000	20.3	4.5	29	•	•	•	•	62
RDM6025S			6.0~13.8	0.10	3,000	15.1	2.6	24	•	•	•	•	
RDL6025S			6.0~13.8	0.07	2,500	12.5	1.8	22	•	•	•	•	
RDH6025B	Ball		6.0~13.8	0.14	4,000	20.3	4.5	29	•	•	•	•	
RDM6025B			6.0~13.8	0.10	3,000	15.1	2.6	24	•	•	•	•	
RDL6025B			6.0~13.8	0.07	2,500	12.5	1.8	22	•	•	•	•	
RDH6025S2	Sleeve	24	12.0~27.6	0.14	4,000	20.3	4.5	29	•	•	•	•	
RDM6025S2			12.0~27.6	0.10	3,000	15.1	2.6	24	•	•	•	•	
RDL6025S2			12.0~27.6	0.09	2,500	12.5	1.8	22	•	•	•	•	
RDH6025B2	Ball		12.0~27.6	0.14	4,000	20.3	4.5	29	•	•	•	•	
RDM6025B2			12.0~27.6	0.10	3,000	15.1	2.6	24	•	•	•	•	
RDL6025B2			12.0~27.6	0.09	2,500	12.5	1.8	22	•	•	•	•	
RDH6025S4	Sleeve	48	24.0~55.2	0.18	7,500	38.8	14.5	47	•	•	•	•	
RDM6025S4			24.0~55.2	0.12	6,000	30.9	9.6	40	•	•	•	•	
RDL6025S4			24.0~55.2	0.10	5,000	25.6	7.0	37	•	•	•	•	
RDH6025B4	Ball		24.0~55.2	0.18	7,500	38.8	14.5	47	•	•	•	•	
RDM6025B4			24.0~55.2	0.12	6,000	30.9	9.6	40	•	•	•	•	
RDL6025B4			24.0~55.2	0.10	5,000	25.6	7.0	37	•	•	•	•	
RDL6025B6	Ball	60	36.0~72.0	0.20	5,000	25.6	7.0	37	•	•	•	•	

Notes: ©All readings are typical values at rated voltage.
©Specifications are subjected to change without prior notice.