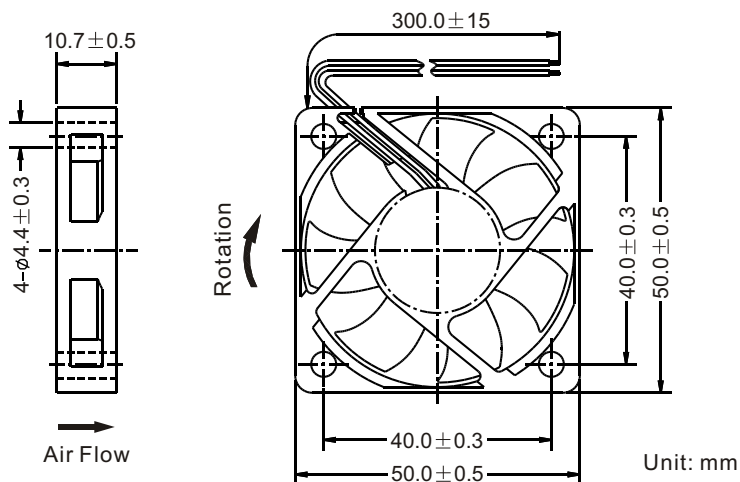


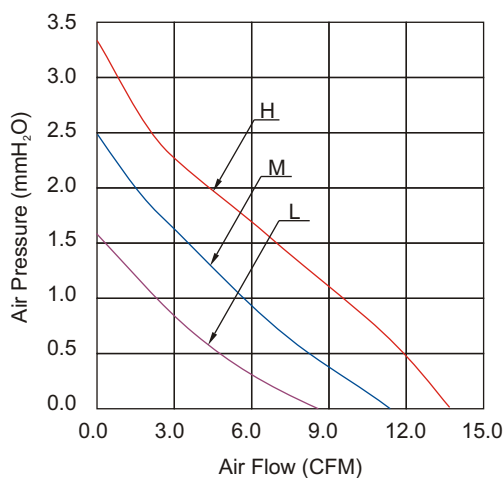
50x50x10mm



■ Dimensions Drawing



■ Performance Curves



General Specification:

- Frame and Impeller : Thermal Plastic , UL 94V-0
- Lead Wires : UL Type
(+) : Red (-) : Black
- Operation Temperature : -10°C~70°C、
35%~85%RH
- Storage Temperature : -40°C~80°C、
35%~85%RH



| Listed Model | Bearing System | Rated Voltage | Operation Voltage | Rated Current | Rated Speed | Air Flow | Air Pressure | Noise Level | Available Features (Optional) | | | | Weight |
|--------------|----------------|---------------|-------------------|---------------|-------------|----------|--------------------|-------------|-------------------------------|-------------------|-----------------|------------------------|--------|
| | | VDC | VDC | A | RPM | CFM | mmH ₂ O | dBA | Tachometer Output | Rotation Detector | Thermal Control | Pulse Width Modulation | g |
| RDH5010S5 | Sleeve | 5 | 3.5~5.75 | 0.30 | 5,300 | 13.2 | 3.3 | 32 | • | • | | | 19 |
| RDM5010S5 | | | 3.5~5.75 | 0.20 | 4,500 | 11.0 | 2.5 | 28 | • | • | | | |
| RDL5010S5 | | | 3.5~5.75 | 0.14 | 3,500 | 8.6 | 1.6 | 22 | • | • | | | |
| RDH5010B5 | Ball | | 3.5~5.75 | 0.30 | 5,300 | 13.2 | 3.3 | 32 | • | • | | | |
| RDM5010B5 | | | 3.5~5.75 | 0.20 | 4,500 | 11.0 | 2.5 | 28 | • | • | | | |
| RDL5010B5 | | | 3.5~5.75 | 0.14 | 3,500 | 8.6 | 1.6 | 22 | • | • | | | |
| RDH5010S | Sleeve | 12 | 6.0~13.8 | 0.16 | 5,300 | 13.2 | 3.3 | 32 | • | • | | | |
| RDM5010S | | | 6.0~13.8 | 0.08 | 4,500 | 11.0 | 2.5 | 28 | • | • | | | |
| RDL5010S | | | 7.0~13.8 | 0.07 | 3,500 | 8.6 | 1.6 | 22 | • | • | | | |
| RDH5010B | Ball | | 6.0~13.8 | 0.16 | 5,300 | 13.2 | 3.3 | 32 | • | • | | | |
| RDM5010B | | | 6.0~13.8 | 0.08 | 4,500 | 11.0 | 2.5 | 28 | • | • | | | |
| RDL5010B | | | 7.0~13.8 | 0.07 | 3,500 | 8.6 | 1.6 | 22 | • | • | | | |

Notes: ©All readings are typical values at rated voltage.
©Specifications are subjected to change without prior notice.