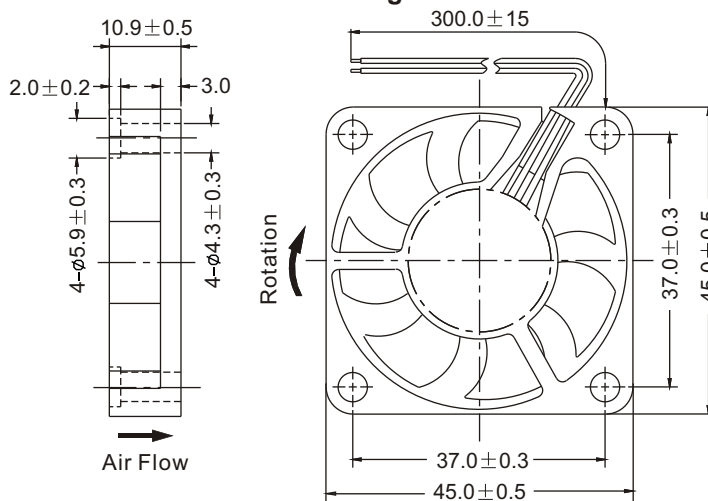




■ Dimensions Drawing



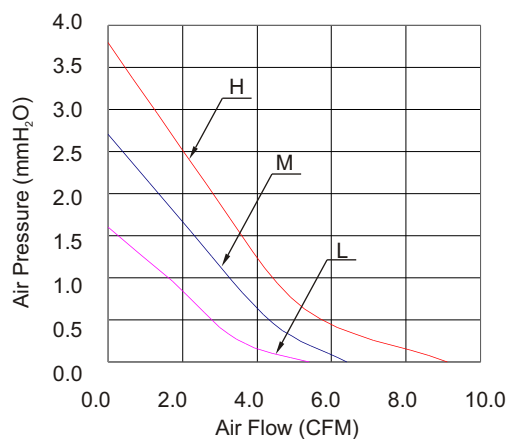
Unit: mm

General Specification:

- Frame and Impeller : Thermal Plastic , UL 94V-0
- Lead Wires : UL Type  
(+) : Red (-) : Black
- Operation Temperature : -10°C~70°C、  
35%~85%RH
- Storage Temperature : -40°C~80°C、  
35%~85%RH



■ Performance Curves



Listed Model	Bearing System	Rated Voltage	Operation Voltage	Rated Current	Rated Speed	Air Flow	Air Pressure	Noise Level	Available Features (Optional)				Weight
		VDC	VDC	A	RPM	CFM	mmH <sub>2</sub> O	dBA	Tachometer Output	Rotation Detector	Thermal Control	Pulse Width Modulation	g
RDH4510S5	Sleeve	5	3.5~5.75	0.21	6,000	9.1	3.8	35	•	•			15
RDM4510S5			3.5~5.75	0.16	5,000	6.4	2.7	30	•	•			
RDL4510S5			3.5~5.75	0.13	4,000	5.4	1.6	25	•	•			
RDH4510B5	Ball		3.5~5.75	0.21	6,000	9.1	3.8	35	•	•			
RDM4510B5			3.5~5.75	0.16	5,000	6.4	2.7	30	•	•			
RDL4510B5			3.5~5.75	0.13	4,000	5.4	1.6	25	•	•			
RDH4510S	Sleeve	12	6.0~13.8	0.10	6,000	9.1	3.8	35	•	•			
RDM4510S			6.0~13.8	0.09	5,000	6.4	2.7	30	•	•			
RDL4510S			7.0~13.8	0.08	4,000	5.4	1.6	25	•	•			
RDH4510B	Ball		6.0~13.8	0.10	6,000	9.1	3.8	35	•	•			
RDM4510B			6.0~13.8	0.09	5,000	6.4	2.7	30	•	•			
RDL4510B			7.0~13.8	0.08	4,000	5.4	1.6	25	•	•			

Notes: ©All readings are typical values at rated voltage.  
©Specifications are subjected to change without prior notice.