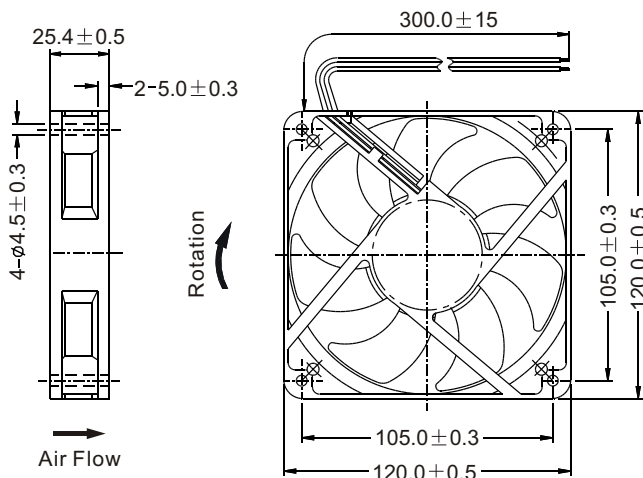


■ Dimensions Drawing



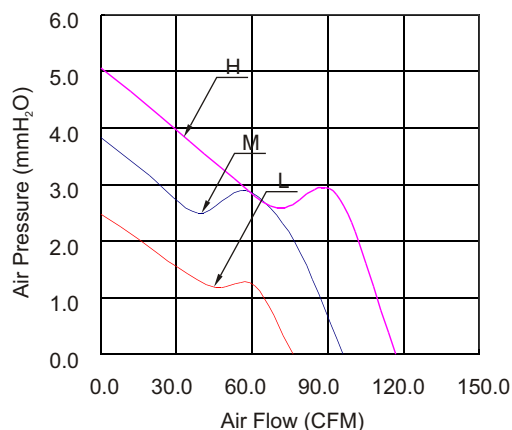
Unit: mm

General Specification:

- Frame and Impeller : Thermal Plastic , UL 94V-0
- Lead Wires : UL Type
(+) : Red (-) : Black
- Operation Temperature : -10°C~70°C、
35%~85%RH
- Storage Temperature : -40°C~80°C、
35%~85%RH



■ Performance Curves



| Listed Model | Bearing System | Rated Voltage | Operation Voltage | Rated Current | Rated Speed | Air Flow | Air Pressure | Noise Level | Available Features (Optional) | | | | Weight g |
|--------------|----------------|---------------|-------------------|---------------|-------------|----------|--------------------|-------------|-------------------------------|-------------------|-----------------|------------------------|-------------|
| | | VDC | VDC | A | RPM | CFM | mmH ₂ O | dBA | Tachometer Output | Rotation Detector | Thermal Control | Pulse Width Modulation | |
| RDH1225B4 | Ball | 48 | 24.0~55.2 | 0.30 | 3,000 | 116.8 | 5.0 | 45 | • | • | | • | 164 |
| RDM1225B4 | | | 24.0~55.2 | 0.24 | 2,500 | 96.1 | 3.8 | 40 | • | • | | • | |
| RDL1225B4 | | | 24.0~55.2 | 0.15 | 2,000 | 76.2 | 2.4 | 34 | • | • | | • | |
| RDH1225S4 | Sleeve | | 24.0~55.2 | 0.30 | 3,000 | 116.8 | 5.0 | 45 | • | • | | • | |
| RDM1225S4 | | | 24.0~55.2 | 0.24 | 2,500 | 96.1 | 3.8 | 40 | • | • | | • | |
| RDL1225S4 | | | 24.0~55.2 | 0.15 | 2,000 | 76.2 | 2.4 | 34 | • | • | | • | |
| RDH1225B6 | Ball | 60 | 36.0~72.0 | 0.30 | 3,000 | 116.8 | 5.0 | 45 | • | • | | • | |